

**ARM CEILING
RIGID PENDANT**



SACP-90

The standard recommended height of the lower face of pendants is 1,1-1,3 meter, however, this does not take into account the differing heights of theatre personnel, or conditions needed for particular operations.

The pendant allows the unit to be lifted above working height when the unit is not required, but also allows the height to be adjusted to suit particular circumstances. (Optional feature)

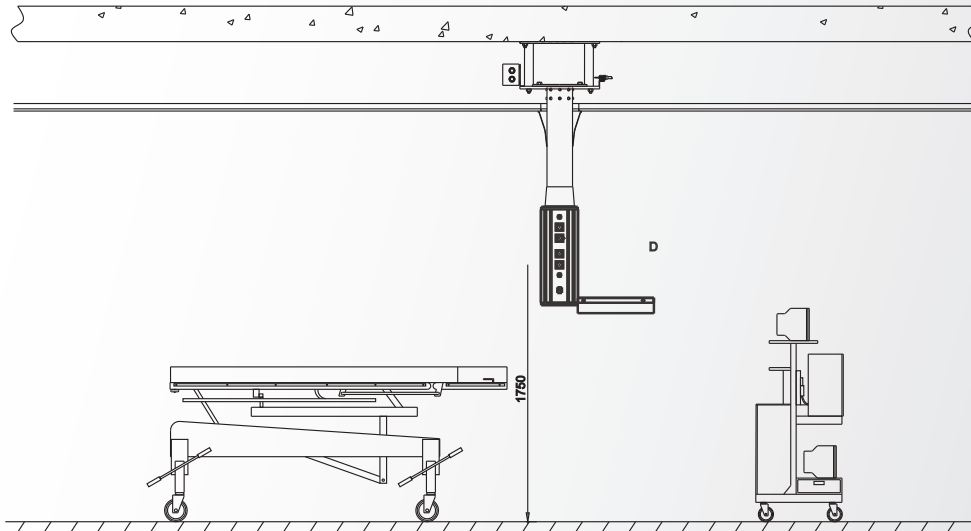
The pendant should be located near the head of the operating table.

However, note must be taken of any moving equipment in the theatre, such as operating theatre lamps etc., to ensure that the location of the pendant does not foul this equipment.

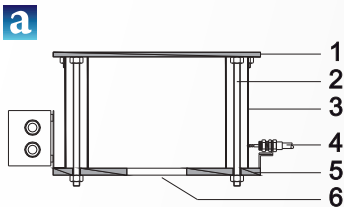


* Optionally, other sizes can be manufactured upon customer request.

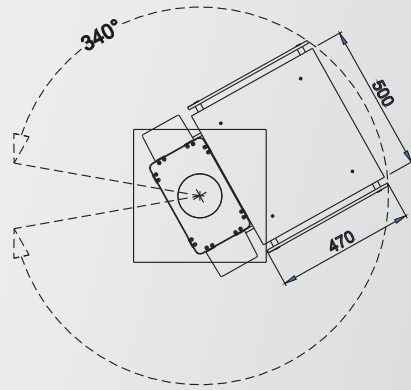
MEDICAL PENDANTS



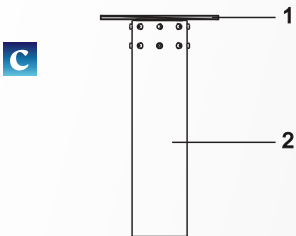
Typical arrangement of an Operating Theatre with Arm Ceiling Rigid Pendant



- 1-Ceiling Flange
- 2-Threaded Rod
- 3-Support Pipe
- 4-NIST Connector Group
- 5-Interface Flange
- 6-Hose Assemblies

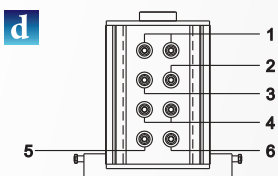


- 1-Flange Cover



- 1-Flange
- 2-Rigid Arm Assembly

NO	ITEM NO	DESCRIPTION	QTY
a	S90-300-021	Flange Group	1set
b	S90-300-049	Flange Cover	1ea.
c	S90-300-001	Rigid Arm	1set



d. Technical Console

NO	ITEM NO	DESCRIPTION	QTY
1	S10-010-Q	Q-Click Oxygen Terminal Unit	2ea.
2	S30-010-Q	Q-Click Medical Air 4 Terminal Unit	1ea.
3	S40-010-Q	Q-Click Medical Air 7 Terminal Unit	1ea.
4	S50-010-Q	Q-Click Vacuum Terminal Unit	2ea.
5	S20-10-Q	Q-Click Nitrous Oxide Terminal Unit	1ea.
6	S60-013-000	Agss Terminal Unit	1ea.
7	S99-515-003	UPS Electrical Socket	8ea.
8	S99-519-003	Potential Earthing	8ea.
9	S90-300-103	Shelf	1ea.
10	S90-300-104	Stainless Steel Rail	2ea.
11	S90-300-101	Drawer	1ea.

