

**HORIZONTAL
SINGLE ARM PENDANT**



SHSP-90

- Single Horizontal Arm Pendant has a single arm.
- The length of the arm is 1000mm long. The arm doesn't move up and down.
- The arm has a capability of 340° rotation around its vertical axis.
- The arm is standard.

**HORIZONTAL
TWIN ARM PENDANT**

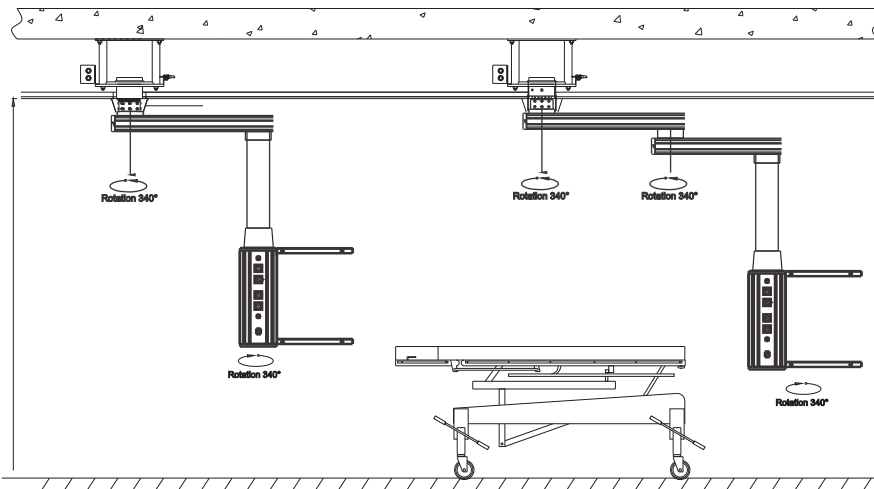


SHTP-90

- Twin Horizontal Arm Pendant has two arms.
- The length of the arms are 600mm and 800mm.
- The arms move horizontally and rotate 340° on its vertical axis.
- The arms are standard.

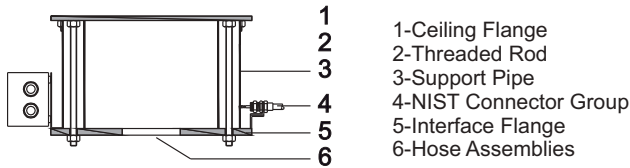
* Optionally, other sizes can be manufactured upon customer request.

MEDICAL PENDANTS



Typical arrangement of an Operating Theatre with Horizontal Single-Twin Pendant Arm

a



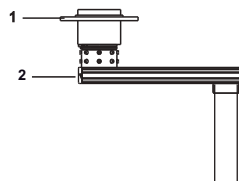
- 1-Ceiling Flange
- 2-Threaded Rod
- 3-Support Pipe
- 4-NIST Connector Group
- 5-Interface Flange
- 6-Hose Assemblies

b



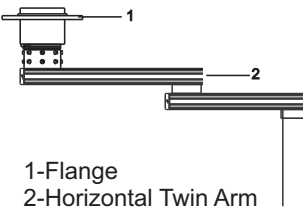
- 1-Flange Cover

C1



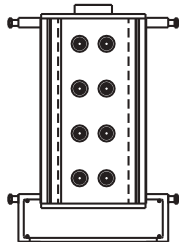
- 1-Flange
- 2-Horizontal Single Arm Pendant Assembly

C2



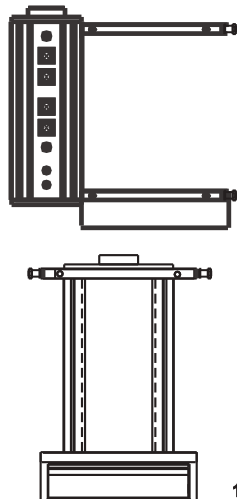
- 1-Flange
- 2-Horizontal Twin Arm Pendant Assembly

d



NO	ITEM NO	DESCRIPTION	QTY
a	S90-300-021	Flange Group	1set
b	S90-300-049	Flange Cover	1ea.
c1	S90-300-001	Horizontal Single Arm	1set
c2	S90-300-002	Horizontal Twin Arm	1set

d. Technical Console



NO	ITEM NO	DESCRIPTION	QTY
1	S10-010-Q	Q-Click Oxygen Terminal Unit	2ea.
2	S30-010-Q	Q-Click Medical Air 4 Terminal Unit	1ea.
3	S40-010-Q	Q-Click Medical Air 7 Terminal Unit	1ea.
4	S50-010-Q	Q-Click Vacuum Terminal Unit	2ea.
5	S20-10-Q	Q-Click Nitrous Oxide Terminal Unit	1ea.
6	S60-013-000	Agss Terminal Unit	1ea.
7	S99-515-003	UPS Electrical Socket	8ea.
8	S99-519-003	Potential Earthing	8ea.
9	S90-300-103	Shelf	1ea.
10	S90-300-104	Stainless Steel Rail	6ea.
11	S90-300-101	Drawer	1ea.