

**MULTI MOVEMENT
ELECTRIC SINGLE ARM PENDANT**



SMSP-90

- Single Electric Arm Pendant has a single arm.
- The Arm has capability of 340° rotation around.
- Its vertical axis and vertical movement of max 690 mm provided by an electric motor.
- Electric Arm's length is 1000mm.
- Electric Arm moves vertically max 600mm by an electric motor.

**MULTI MOVEMENT
ELECTRIC TWIN ARM PENDANT**

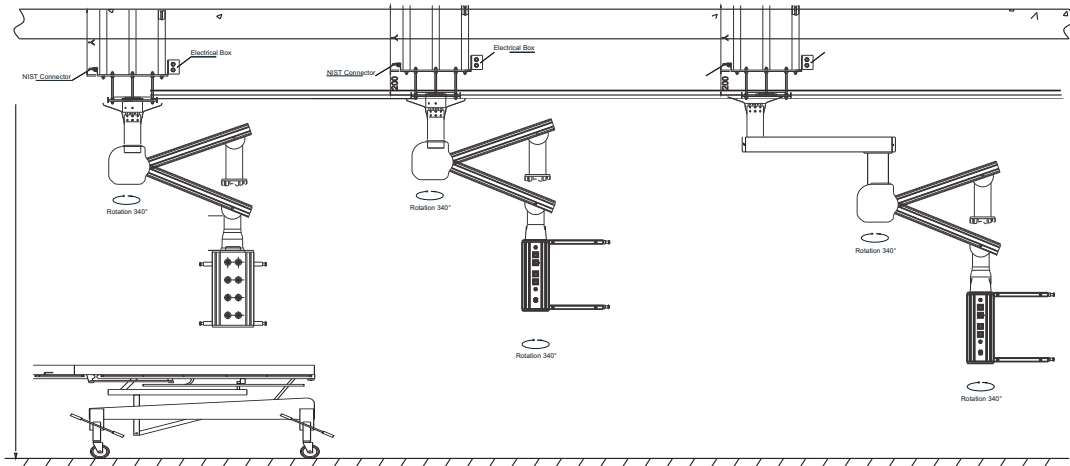


SMTp-90

- Twin Electric Arm Pendant has two arm.
- The Arm has capability of 340° rotation around.
- Its vertical axis and vertical movement of max 690 mm provided by an electric motor.
- The length of the arms are 800mm and the arms moves horizontally and rotates 340° on its vertical axis.
- Electric Arm moves vertically max 600mm by an electric motor.

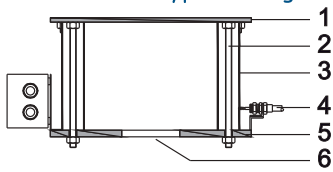
* Optionally, other sizes can be manufactured upon customer request.

MEDICAL PENDANTS



Typical arrangement of an Operating Theatre with Multi Movement Electric Single-Twin Pendant Arm

a



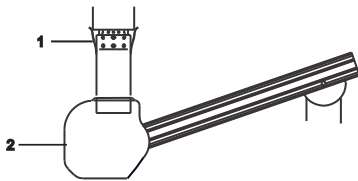
- 1-Ceiling Flange
- 2-Threaded Rod
- 3-Support Pipe
- 4-NIST Connector Group
- 5-Interface Flange
- 6-Hose Assemblies

b



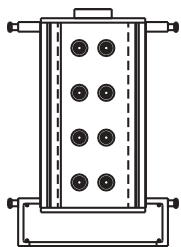
- 1-Flange Cover

c₁



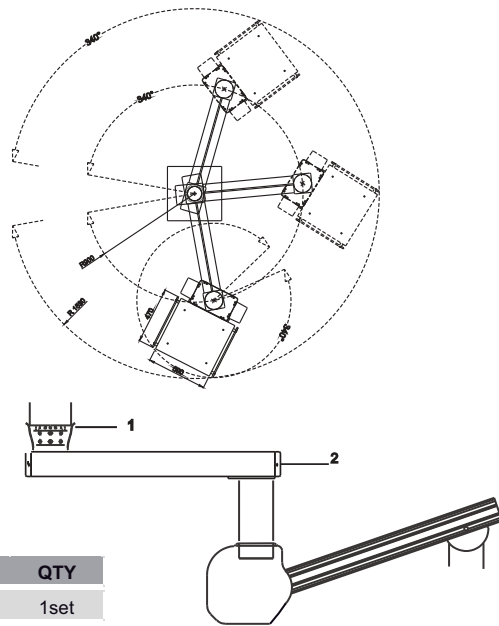
- 1-Flange
- 2-Electric Single Arm Pendant Assembly

d



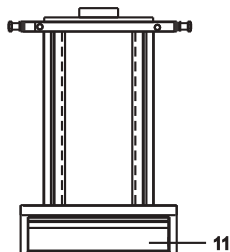
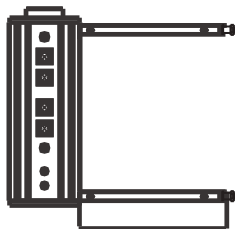
- 1-Flange
- 2-Electric Twin Arm Pendant Assembly

c₂



NO	ITEM NO	DESCRIPTION	QTY
a	S90-300-021	Flange Group	1set
b	S90-300-049	Flange Cover	1ea.
c1	S90-300-004	Electric Single Arm	1set
c2	S90-300-005	Electric Twin Arm	1set

d. Technical Console



NO	ITEM NO	DESCRIPTION	QTY
1	S10-010-Q	Q-Click Oxygen Terminal Unit	2ea.
2	S30-010-Q	Q-Click Medical Air 4 Terminal Unit	1ea.
3	S40-010-Q	Q-Click Medical Air 7 Terminal Unit	1ea.
4	S50-010-Q	Q-Click Vacuum Terminal Unit	2ea.
5	S20-10-Q	Q-Click Nitrous Oxide Terminal Unit	1ea.
6	S60-013-000	Agss Terminal Unit	1ea.
7	S99-515-003	UPS Electrical Socket	8ea.
8	S99-519-003	Potential Earthing	8ea.
9	S90-300-103	Shelf	1ea.
10	S90-300-104	Stainless Steel Rail	6ea.
11	S90-300-101	Drawer	1ea.