

## DOUBLE ARM PENDANT



**SDAP-90**

To provide the ideal arrangement for all necessary services and equipment connection facilities required in an ICU or CCU for all clinical purposes.

The Double Arm Intensive Care Units Pendant is manufactured from extruded aluminium profile and coated by electrostatic powder paint.

The Double Arm Pendant has a 'Wet Side' and a 'Dry Side' equipment console.

Wet Side Equipment Console will have drip hook, infusion stands, equipment rail as well as gas and electric services.

Dry Side equipment console will have shelves for equipment, Drawer and gas and electric services.

No more cables and hoses on the floor which

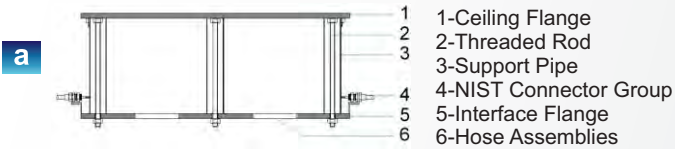
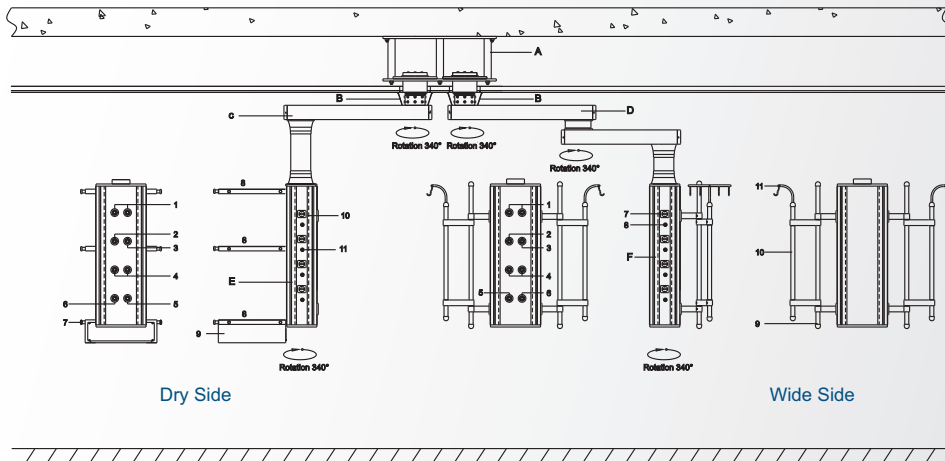
cause an obstruction to free movement, because all cables and hoses are integrated into the pendant system. All necessary pieces of equipment are set on individually adjustable trays, or attached to rails or poles. This results in an unobstructed working space and leaves floor space free for the use of medical (or other) equipment.

Conduits and fittings are built into the unit so that they are not visible and, therefore, giving a surface that is easy to clean. The ceiling suspension system is maintenance free. Equipment is connected by means of short connecting hoses or cables for medical gases and electricity. Single or twin support arms can be easily extended using modules to suit the requirements of a specific application. The arms rotate on high quality bearings, so that the technical consoles can be very smoothly and quickly moved into any position. The support arms are solidly built to enable heavy devices (monitors pumps etc.) to be carried on the console. Double Arm O.R Pendant has the advantage of one arm moving vertically by electric motor supplying a comprehensive facility for larger Operating Theaters.

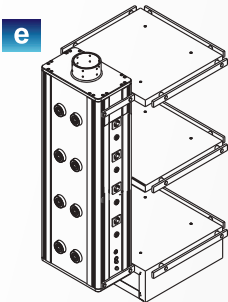
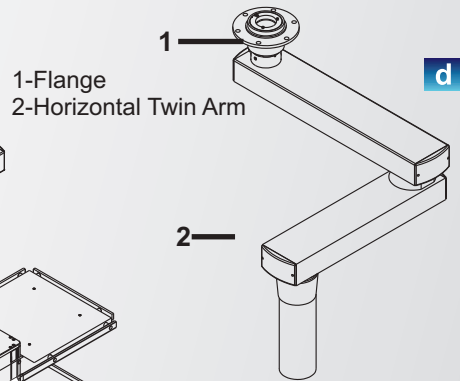
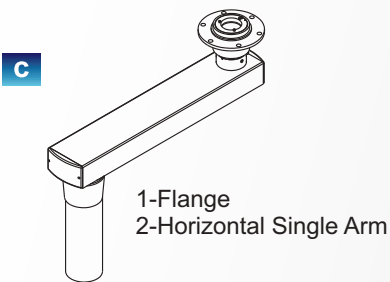
Support arms set on high-quality, maintenance-free bearings with low frictional resistance. Rotating arms are of high tensile steel profiles. Covers are of painted steel sheet or painted plastic. Technical consoles are made of electrostatic powder coated aluminium and/or Steel material. Plastic components are of highly flame-resistant material.

\* Optionally, other sizes can be manufactured upon customer request.

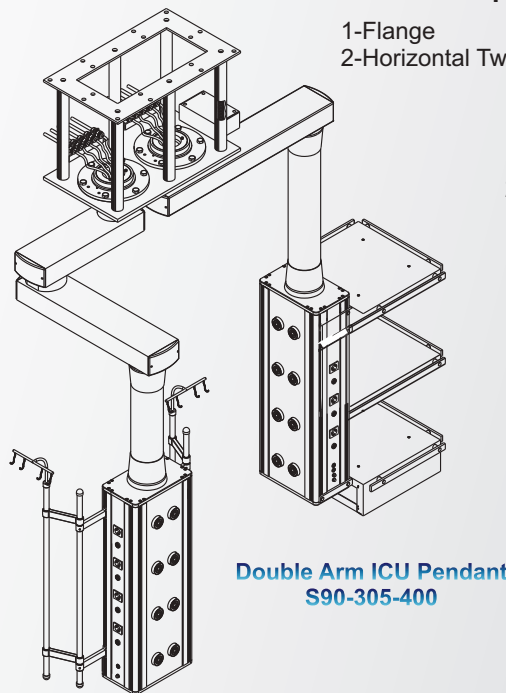
# MEDICAL PENDANTS



NO	ITEM NO	DESCRIPTION	QTY
a	S90-300-022	DAP-90 Flange Group	1set
b	S90-300-048	DAP-90 Flange Cover	1ea.
c	S90-300-002	Hor?zontal S?ngle Arm	1set
d	S90-300-003	Hor?zontal Tw?n Arm	1set



**f** Wet Side S90-305-400



**Double Arm ICU Pendant S90-305-400**

**Dry Side S90-305-305**

**Dry Side Parts List:**

NO	ITEM NO	DESCRIPTION	QTY
1	S10-010-Q	Q-Click Oxygen Terminal Unit	2ea.
2	S30-010-Q	Q-Click Medical Air 4 Terminal Unit	1ea.
3	S40-010-Q	Q-Click Medical Air 7 Terminal Unit	1ea.
4	S50-010-Q	Q-Click Vacuum Terminal Unit	2ea.
5	S20-10-Q	Q-Click Nitrous Oxide Terminal Unit	1ea.
6	S60-013-000	Agss Terminal Unit	1ea.
7	S90-300-104	U Type Rail	3ea.
8	S90-300-102	Shelf	3ea.
9	S90-300-101	Drawer	1ea.
10	S99-515-003	Earth Electric Socket	8ea.
11	S99-519-003	Potential Earthing	8ea.

**Wet Side Parts List:**

NO	ITEM NO	DESCRIPTION	QTY
1	S10-010-Q	Q-Click Oxygen Terminal Unit	2ea.
2	S30-010-Q	Q-Click Medical Air 4 Terminal Unit	1ea.
3	S40-010-Q	Q-Click Medical Air 7 Terminal Unit	1ea.
4	S50-010-Q	Q-Click Vacuum Terminal Unit	2ea.
5	S20-10-Q	Q-Click Nitrous Oxide Terminal Unit	1ea.
6	S60-013-000	Agss Terminal Unit	1ea.
7	S90-300-104	Earth Electric Socket	8ea.
8	S99-515-003	Potential Earthing	1ea.
9	S90-300-106	Infusion Pump Holder	1ea.
10	S90-300-107	Infusion Pump Holder Supporting Device	1ea.
11	S90-300-108	Infusion Holder with 4 Drip Hook	1ea.